

LW700KN

Wheel Loader



Coal Loader	
Rated bucket capacity	: 6m³
Rated loading capacity	: 7000kg
Rated power	: 226kW
Gross weight	: 25500kg
Dumping height	: 3515mm
Maximum breakout force	: 150kN



Head Office Gaya Makmur Putra

Jl. Lingkar Luar Barat Duri Kosambi No.1 -Cengkareng

Jakarta Barat - Indonesia 11740

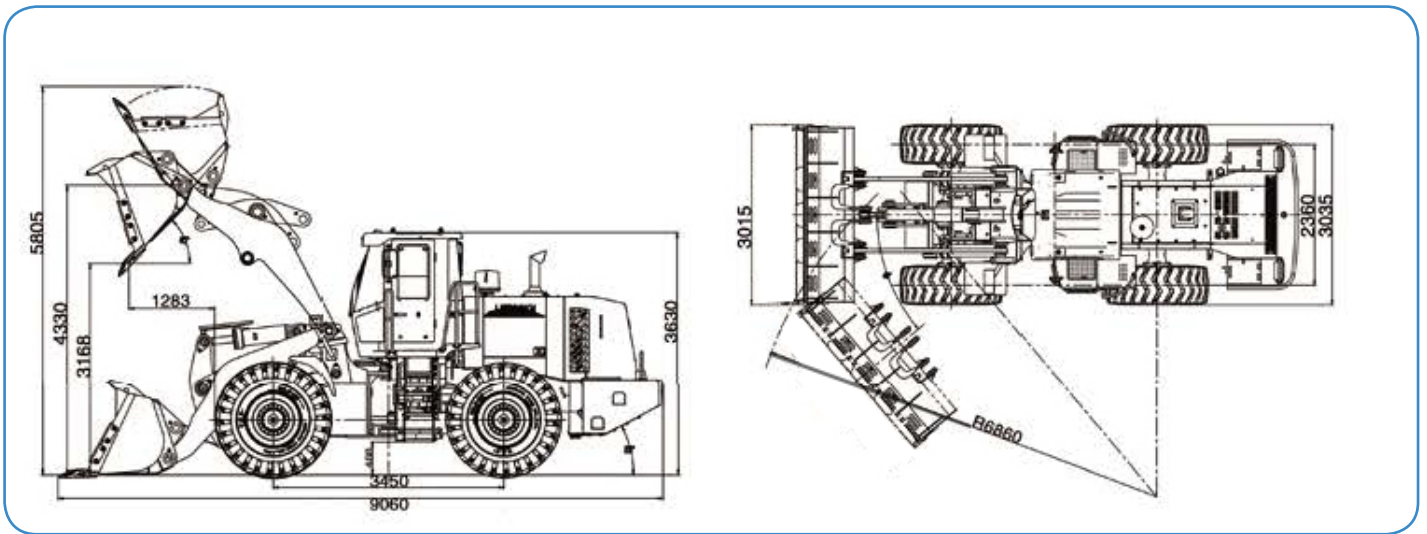
Telp : (62 21) 544 8128 / 30

Fax : (62 21) 544 8131

Email : info@gmtractors.com

Website : www.gmtractors.net

Overall Dimension



Main Specification

Description	Coal Loader
Wheel base	3450 mm
Wheel tread	2360 mm
Dump clearance at maximum lift	3515 mm
Reach at maximum lift	1388 mm
Height of hinge at maximum lifting height	4780 mm
Working height (fully lifted)	6560 mm
Overall dimension LxWxH	9455 x 3430 x 3630 mm

Item	Coal Loader	
Rated Operating load	7000 kg	
Bucket capacity	6 m ³	
Operating weight	25500 kg	
maximum breakout force	150 kN	
Maximum traction force	220 kN	
Lifting time of boom	≤ 6.5 s	
Total cycle time	≤ 11 s	
Minimum turning radius (at tire center)	5920 mm	
Articulation angle	±40°	
Gradeability	28°	
Tire size	26.5R25	
Engine model	WD12G310E221	
Rated power / speed	226/2100 kW/rpm	
Travel Speed	I - gear (F/R)	7/7 km/h
	II - gear (F/R)	12.7/12.7 km/h
	III - gear (F/R)	27/27 km/h
	IV - gear (F)	38 km/h

THE SPECIFICATIONS ARE SUBJECT TO CHANGE WITHOUT NOTICE. THE PICTURES MAY INCLUDE OPTIONS. THE ACTUAL COLOR & APPEARANCE OF THE PRODUCT MAY DIFFER FROM WHAT IS SHOWN.

Networking

Surabaya | Medan | Pekanbaru | Palembang | Batam | Balikpapan | Banjarmasin | Makassar | Kendari