

WZ30-25



Backhoe Loader

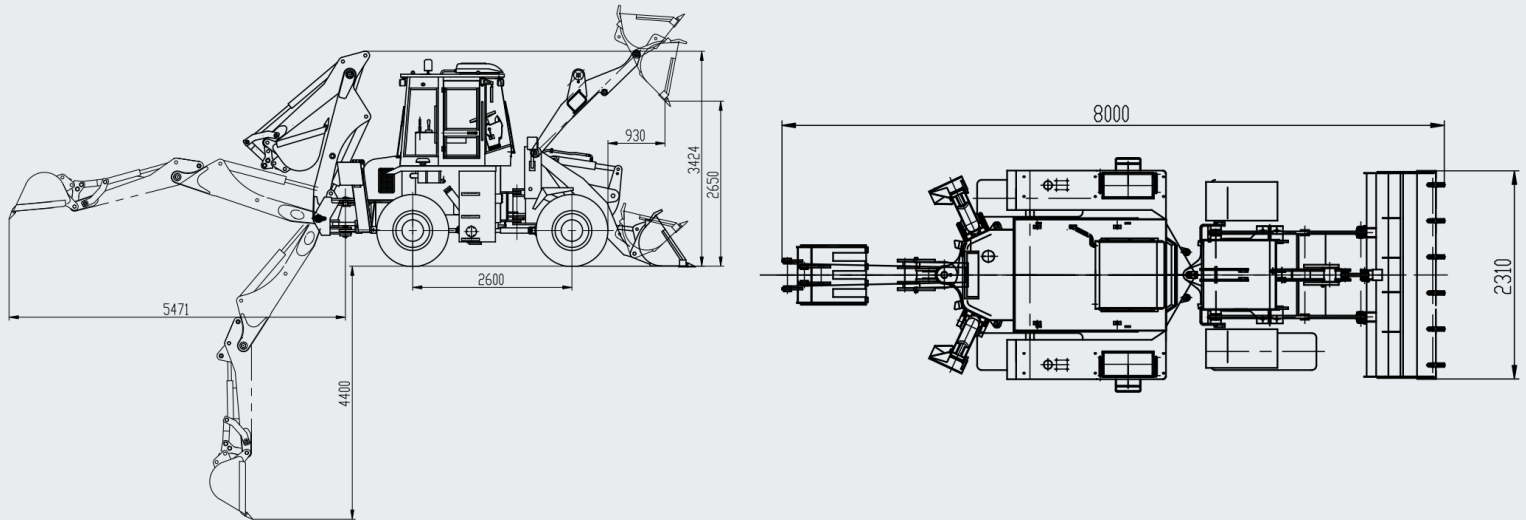


Bucket Capacity	: 1.0 m³
Digger capacity	: 0.3 m³
Dumping clearance	: 2650 mm
Dumping reach	: 930 mm
Max. steering angle	: ±35°



Head Office Gaya Makmur Putra
Jl. Lingkar Luar Barat Duri Kosambi No.1 -Cengkareng
Jakarta Barat - Indonesia 11740
Telp : (62 21) 544 8128 / 30
Fax : (62 21) 544 8131
Email : info@gmtractors.com
Website : www.gmtractors.net

Overall Dimension



Main Specification

Bucket Capacity (heaped)	1.0 m ³
Digger capacity	0.3 m ³
Dumping clearance	2650 mm
Dumping reach	930 mm
Max. steering angle	±35°
Max. steering angle of dig working device	±85°
Tracing speed I / II / III / IV	0-6.2 / 0-12 / 0-20 / 0-30 km/h
Back I / II speed	0-8 / 0-28.5 km/h
Diesel Model	YC4A110-T310 / YC41390-T20
Modality	4-stroke water - cooled inline type / 4-stroke water-cooled inline type
Rated power	73.5 (Turbocharged)/65 kW
Rated speed	2200 r/min
Wheel base	2600 mm
Tread	1700 mm
Tires	16/70-24
Max. digging depth	4400 mm
Max. digging radius	5471 mm
Overall dimensions (LxWxH)	8000 x 2310 x 3424 mm
Operating weight	9500 kg

THE SPECIFICATIONS ARE SUBJECT TO CHANGE WITHOUT NOTICE. THE PICTURES MAY INCLUDE OPTIONS. THE ACTUAL COLOR & APPEARANCE OF THE PRODUCT MAY DIFFER FROM WHAT IS SHOWN.

Networking

Surabaya | Medan | Pekanbaru | Palembang | Batam | Balikpapan | Banjarmasin | Makassar | Kendari